

# Technical data sheet

## Product features



### Fry-top griddle plate smooth chrom

<b>Model</b>	<b>SAP Code</b>	00013577
--------------	-----------------	----------



- Top type: Smooth
- Griddle dimensions [mm x mm]: 800 x 800
- Griddle thickness [mm]: 14.00
- Worktop material: Super chrom
- Grid size [mm x mm]: 680 x 760
- Container for liquid fat: Yes
- Independent heating zones: Separate control for each heating zone
- Maximum device temperature [°C]: 300
- Removable rim: Yes

<b>SAP Code</b>	00013577	<b>Loading</b>	400 V / 3N - 50 Hz
<b>Net Width [mm]</b>	800	<b>Griddle dimensions [mm x mm]</b>	800 x 800
<b>Net Depth [mm]</b>	800	<b>Grid size [mm x mm]</b>	680 x 760
<b>Net Height [mm]</b>	220	<b>Top type</b>	Smooth
<b>Net Weight [kg]</b>	80.00	<b>Worktop type</b>	Molded - comfortable cleaning maintenance
<b>Power electric [kW]</b>	15.000		

# Technical data sheet

Technical drawing

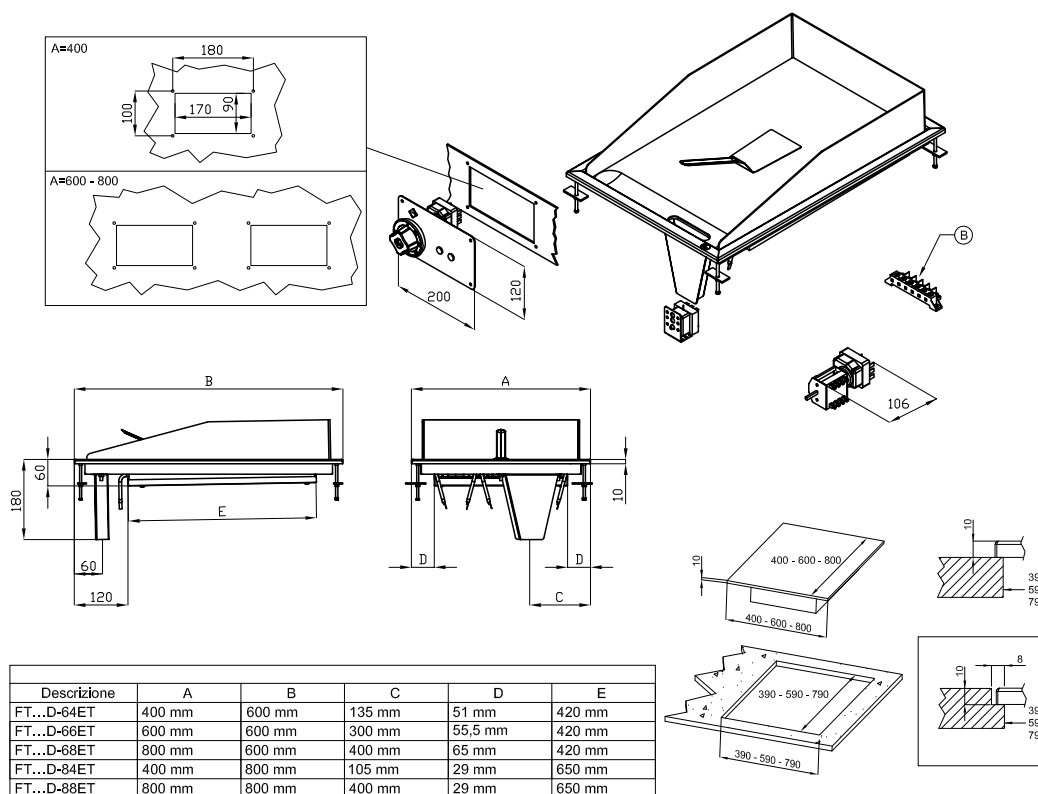


## Fry-top griddle plate smooth chrom

Model

SAP Code

00013577



A	Data plate		B	Electrical connection	
---	------------	--	---	-----------------------	--

# Technical data sheet

Technical parameters



## Fry-top griddle plate smooth chrom

**Model**

**SAP Code**

00013577

**1. SAP Code:**

00013577

**2. Net Width [mm]:**

800

**3. Net Depth [mm]:**

800

**4. Net Height [mm]:**

220

**5. Net Weight [kg]:**

80.00

**6. Gross Width [mm]:**

830

**7. Gross depth [mm]:**

970

**8. Gross Height [mm]:**

540

**9. Gross Weight [kg]:**

90.00

**10. Device type:**

Electric unit

**11. Construction type of device:**

Drop-in

**12. Power electric [kW]:**

15.000

**13. Loading:**

400 V / 3N - 50 Hz

**14. Protection of controls:**

IPX5

**15. Device color:**

Stainless steel

**16. Material:**

Stainless steel

**17. Indicators:**

operation and warm-up

**18. Worktop type:**

Molded - comfortable cleaning maintenance

**19. Worktop material:**

Super chrom

**20. Worktop Thickness [mm]:**

14.00

**21. Maximum device temperature [°C]:**

300

**22. Minimum device temperature [°C]:**

50

**23. Service accessibility:**

Trough the frontal panel

**24. Safety thermostat:**

Yes

**25. Griddle dimensions [mm x mm]:**

800 x 800

**26. Griddle thickness [mm]:**

14.00

**27. Container for liquid fat:**

Yes

**28. Independent heating zones:**

Separate control for each heating zone

# Technical data sheet

Technical parameters



## Fry-top griddle plate smooth chrom

**Model**

**SAP Code**

00013577

**29. Removable rim:**

Yes

**31. Top type:**

Smooth

**30. Grid size [mm x mm]:**

680 x 760